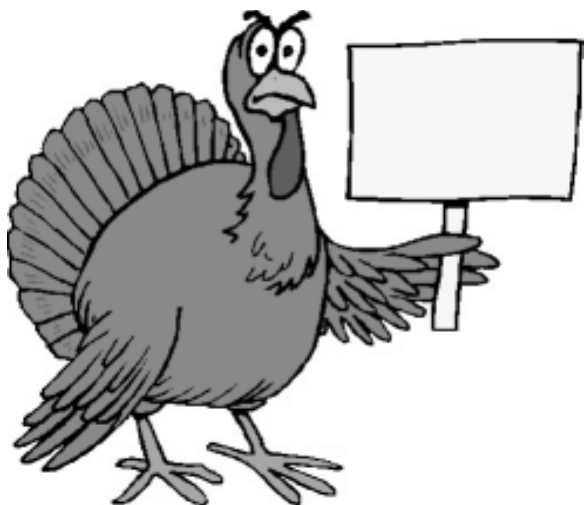


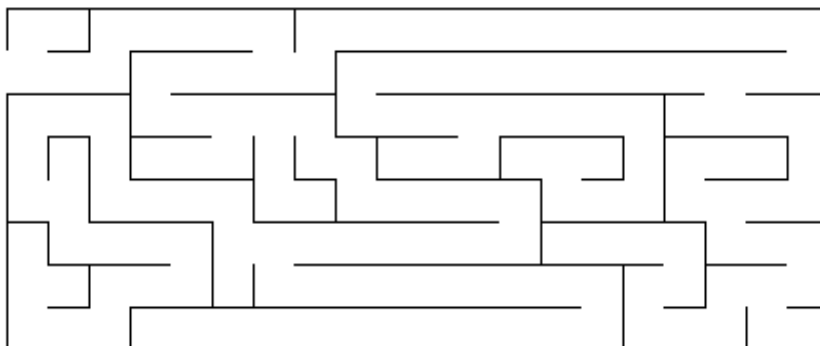
Remember: *Thanksgiving is a time for giving thanks. Are you grateful for music?*



If turkeys could protest, what do you think they would say? Fill in Tom Turkey's protest sign.



Find your way through the maze to the pie on the other side!!



Let's party!!

Can you find other words hiding in the word turkeys?

You use it to open a door:

K _ _ _

Something hasn't happened:

Y _ _ _

If you're very certain of something, you are

S _ _ R _ _



This program was made possible by the generous support of the City of Albuquerque Urban Enhancement Trust Fund.

